

9028

FRAME RELAY COMPRESSION UNIT



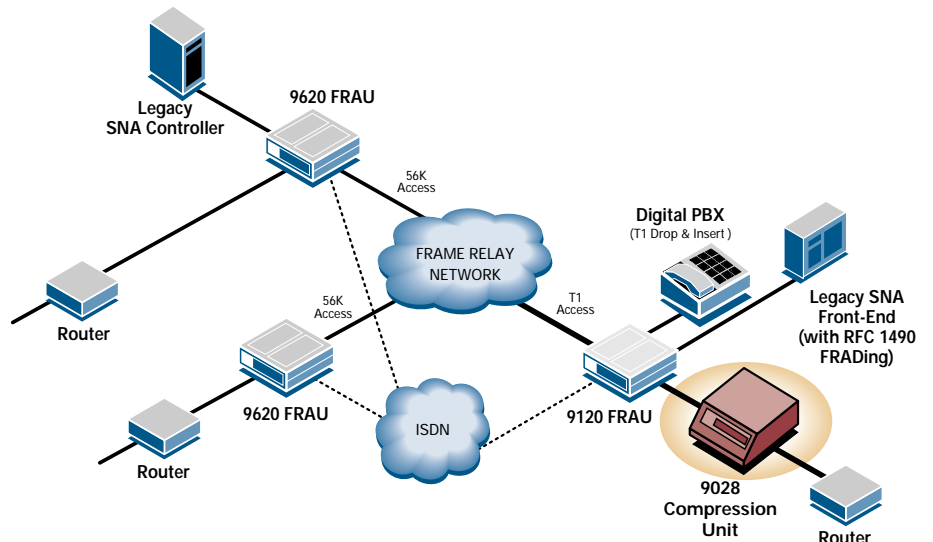
B E N E F I T S

- ENHANCED SNMP-BASED NETWORK MANAGEMENT CONNECTIVITY OPTIONS ELIMINATE DEPENDENCY ON ROUTERS OR EXTERNAL DEVICES AND PROVIDE TRUE END-TO-END MANAGEMENT ACROSS YOUR FRAME RELAY NETWORK
- FRAME RELAY-COMPATIBLE DATA COMPRESSION REDUCES BANDWIDTH REQUIREMENTS AND PORT CHARGES BY UP TO 75 PERCENT
- BYPASS CIRCUITRY MAINTAINS CONNECTIVITY, THUS MAXIMIZING NETWORK AVAILABILITY
- STANDARDS-BASED APPROACH ENSURES COMPATIBILITY AND PROTECTS INVESTMENTS

The Paradyne™ 9000 Series frame relay access products take frame relay network access to a whole new level!

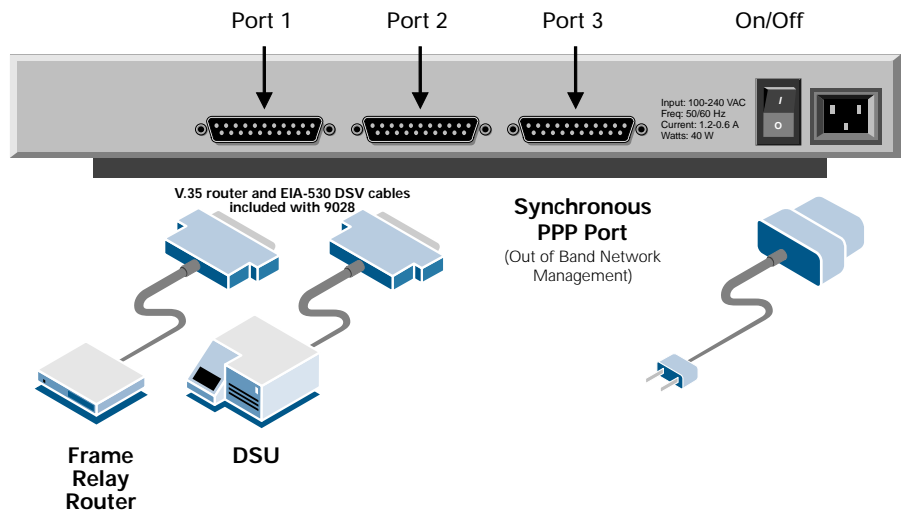
The Paradyne 9028 Compression Unit (CU) is a high performance FT1 data compressor that operates with the 9120 Frame Relay Access Unit. The 9028 CU combines a Frame Relay Forum (FRF.9) compliant compression algorithm with leading edge RISC microprocessor and advanced Programmable Logic technologies to deliver optimum performance and throughput for mission-critical frame relay applications. With compression rates as high as 4 to 1, the 9028 CU is ideally suited for high volume locations such as large regional or centralized data centers.

The 9028 CU supports fractional or full T1 speeds and compression of up to 64 simultaneous permanent virtual circuits (PVCs). To maximize compression ratio, each PVC has its own dedicated dictionary which is updated and synchronized using FRF.9 Communications Protocol. The FRF.9 protocol also reduces discarded Frame Relay packets and improves line utilization. Uncompressed PVCs bypass the data compression engine allowing connectivity to be maintained with any combination of compressed and uncompressed PVCs. As a member of the 9000 frame relay access product family, the 9028 CU also includes Paradyne's advanced Frame Relay AWare (FRAW) network management and enhanced SNMP connectivity features.



FEATURES

- FRF.9 COMPLIANT DATA COMPRESSION
- UP TO 64 PVCs EACH WITH ITS OWN DEDICATED DICTIONARY (UNLIMITED PVCs FOR PASSTHROUGH)
- NOMINAL COMPRESSION RATE 2:1 TO 4:1 (DATA AND NETWORK DEPENDENT)
- PORT SPEEDS OF UP TO 6 Mbps AND NETWORK (WAN) SPEEDS OF UP TO 1.536 Mbps
- VARIABLE CLOCK RATE FLOW CONTROL
- INTEGRATED SNMP AGENT, TELNET AND ASCII TERMINAL MANAGEMENT INTERFACES
- MULTIPLE SNMP MANAGEMENT CONNECTIVITY OPTIONS
- OPTIONAL HP OPENVIEW AND IBM NETVIEW AIX GRAPHICAL MANAGEMENT APPLICATIONS



9028 SPECIFICATIONS

Compression

Incorporates FRF.9 and Stac® LZS® compression
 Compression Rate: Nominal range 2:1 to 4:1 (data and network dependent)
 Flow Control: Variable clock rate

Interfaces:

1 Console Port: RS-232C (RJ-11)
 3 Configurable Ports (Port 1, 2, 3), V.35, EIA-530

Speeds

Console Port: Up to 38.4 Kbps
 Port 1: Up to 6.0 Mbps
 Port 2: Up to 1.536 Mbps
 Port 3: Up to 64 Kbps

Frame Relay

64 DLCIs for compression (unlimited number for passthrough)
 Supports standard LMI, Q933 Annex A, and ANSI T1.617 Annex D Management Protocols

Physical

Width: 17 inches (432 mm)
 Length/Depth: 9 inches (229 mm)
 Height: 1.75 inches (45 mm)
 Weight: 10 lbs. (4.5 kg)

Environment

Operating Temperature: 36° to 122° F (2° to 50° C)
 Humidity: 5% to 85%, non condensing

Power

Required: 85 to 264 VAC @ 50 to 60 Hz
 Type: Autosensing
 Consumption: 7W, 24 BTU per hour at 115 volts

Certifications

FCC Class A, CSA, UL 950

All 9000 Series products are backed by a two-year, return-to-factory warranty and full on-line phone support. Extended warranties are available upon request.

It is the policy of Paradyne to improve products as new technology, software, components, and firmware become available. Paradyne, therefore, reserves the right to change specifications without prior notice. All features, functions, and operations described herein may not be marketed by Paradyne in all parts of the world.

For additional information on this or any Paradyne product or service, contact the office nearest you. Or, dial toll-free (USA and Canada) 800 482-3333 or call 813 530-8623. Fax (USA) 813 530-2103.

Toronto 905 709-5000 fax: 905 709-3469
 Europe 44-1-753-515000 fax: 44-1-753-550011
 Hong Kong 852 2543-0083 fax: 852 2541-3767
 Singapore 65 355-5230 fax: 65 355-5244

Montreal 514 288-0001 fax: 514 288-1246
 Japan 81 3-5541-6630 fax: 81 3-5541-6631
 Latin America 813 530-8358 fax: 813 532-5240
 Internet address <http://www.paradyne.com>

Specifications subject to change without notice. Printed in U.S.A. ©Paradyne Corporation 1997.

PARADYNE is a trademark of Paradyne Corporation. Stac and LZS are registered trademarks of Stac Electronics. All products or services mentioned are the trademarks, service marks, registered trademarks, or registered service marks of their respective owners.

